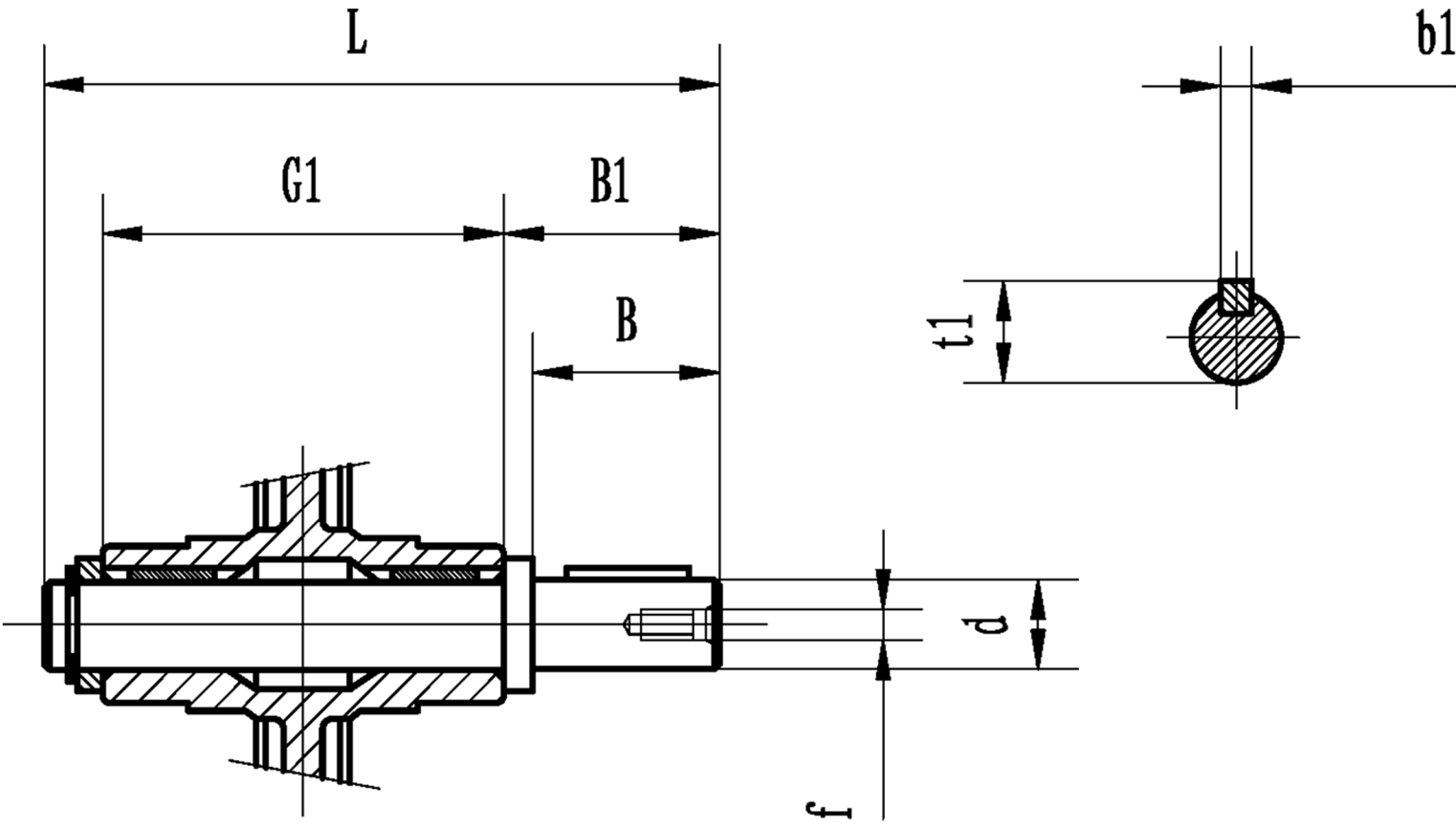


MaxMotion



Customer is responsible in determining that MEP product will fit/perform suitably in the intended application					Version: 1HAN		Revised: 09-11-2020		MMR50-SS-3/4
SIZE	B	d	f	L	B1	b1	G1	t1	
50	50	19.05H7	C-1/4	153	53.5	4.76N9-0.03	86	16.36 -0.2	